



CLINE ALUMINUM DOORS, INC.
 112 32nd AVENUE WEST, BRADENTON, FL 34205-8096
 Telephone (800) 648-6736

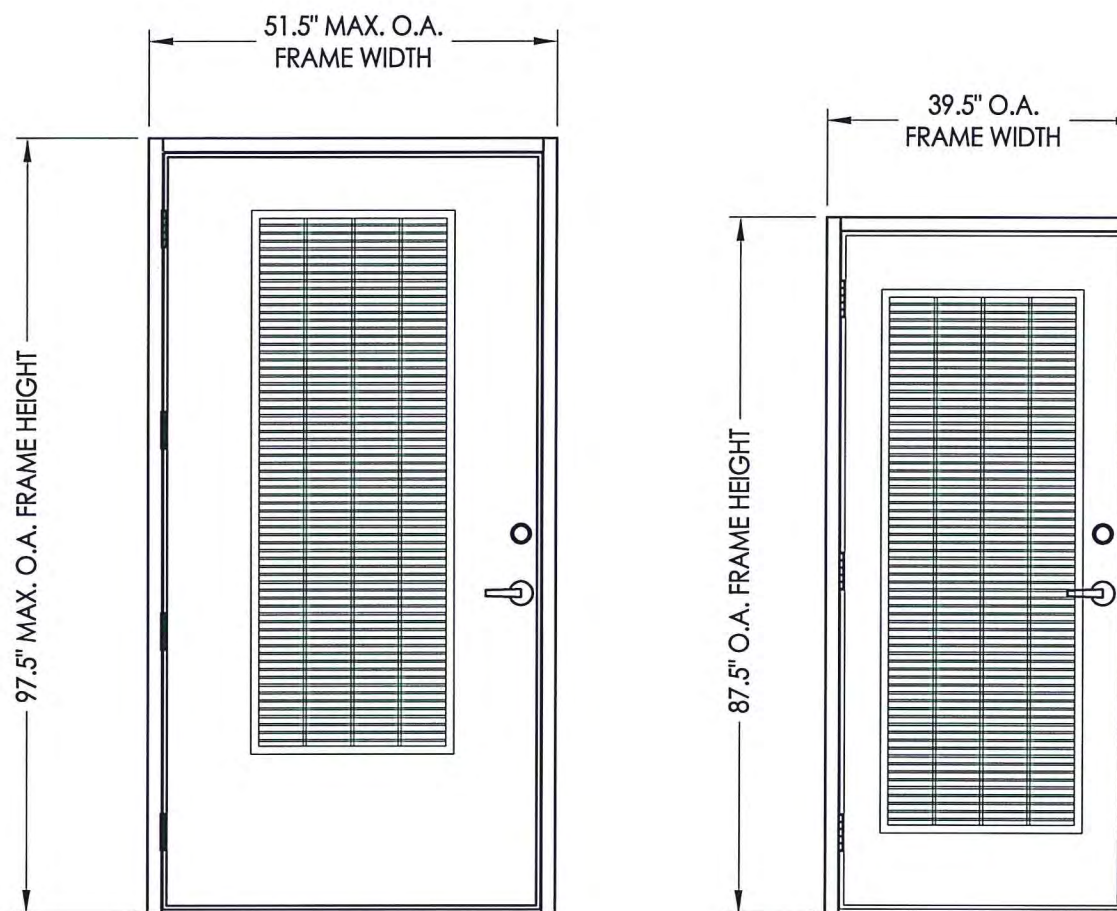
SERIES 100BE ALUMINUM DOOR

OUTSWING "IMPACT"

GENERAL NOTES

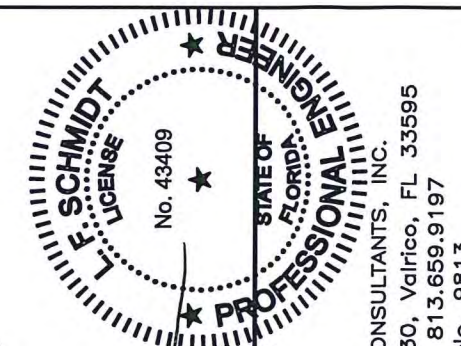
1. This product has been evaluated and is in compliance with the 6th Edition (2017) Florida Building Code (FBC) structural requirements including the "High Velocity Hurricane Zone" (HVHZ).
2. Product anchors shall be as listed and spaced as shown on details. Anchor embedment to base material shall be beyond wall dressing or stucco.
3. When used in the "HVHZ" this product complies with Section 1626 of the Florida Building Code and does not require an impact resistant covering.
4. For 2x stud framing construction, anchoring of these units shall be the same as that shown for 2x buck masonry construction.
5. Site conditions that deviate from the details of this drawing require further engineering analysis by a licensed engineer or registered architect.
6. Outswing configurations do not meet the water infiltration requirements for the "HVHZ" and shall be installed only in non-habitable areas or at habitable locations protected by an overhang or canopy such that the angle between the edge of canopy or overhang to sill is less than 45 degrees.
7. Aluminum components, including fasteners, shall meet the requirements of FBC Section 2003.

TABLE OF CONTENTS	
SHEET#	DESCRIPTION
1	Typical elevations, design pressures & general notes
2	Door panel details and glazing detail
3	Horizontal cross sections
4	Vertical cross sections
5	Buck and frame anchoring (Nominal 4' X 8')
6	Buck and frame anchoring (Nominal 3' X 7')
7	Bill of materials and components



VENTED DOOR PANEL

LOCK HARDWARE	MAX. FRAME DIMENSION	MAX. VENT OPENING DIMENSION	DESIGN PRESSURE (PSF)	
			POSITIVE	NEGATIVE
LATCH & DEADBOLT	51.5" x 97.5"	23.75" X 66.75"	+50.0	-50.0
	39.5" x 87.75"	23.75" X 66.75"	+60.0	-60.0



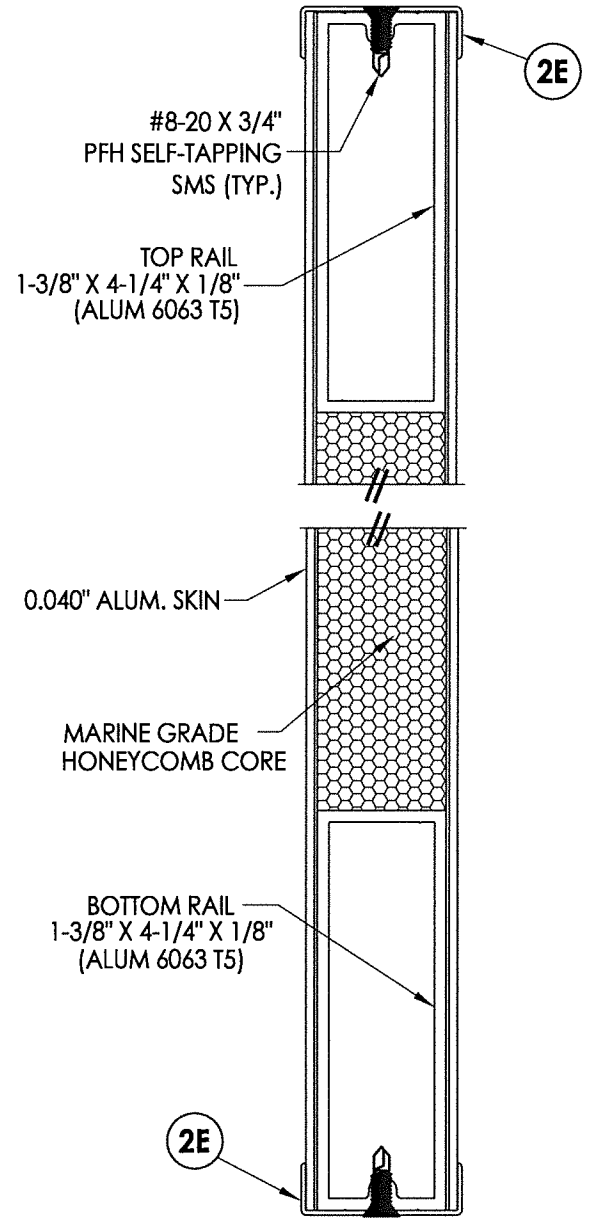
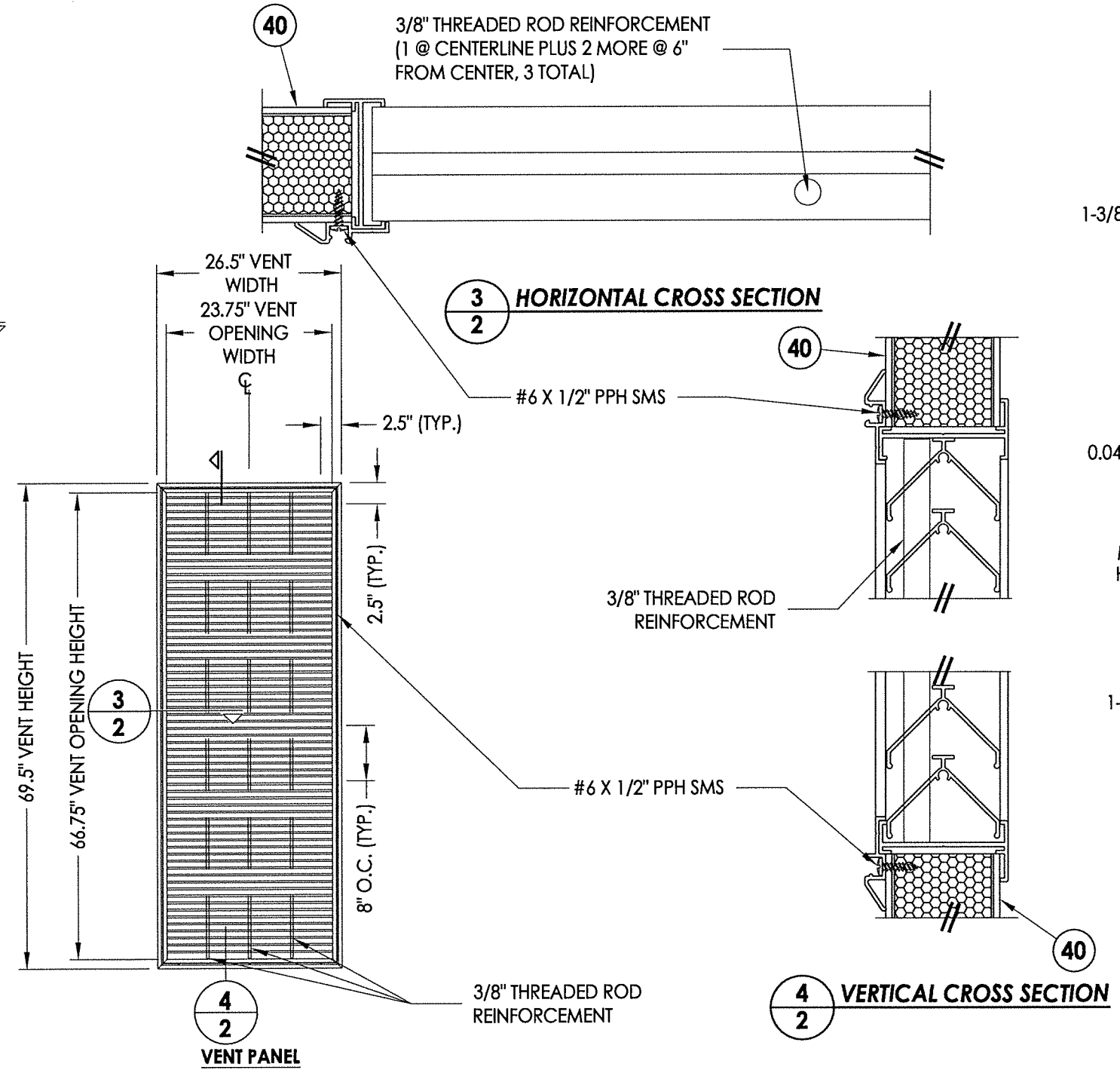
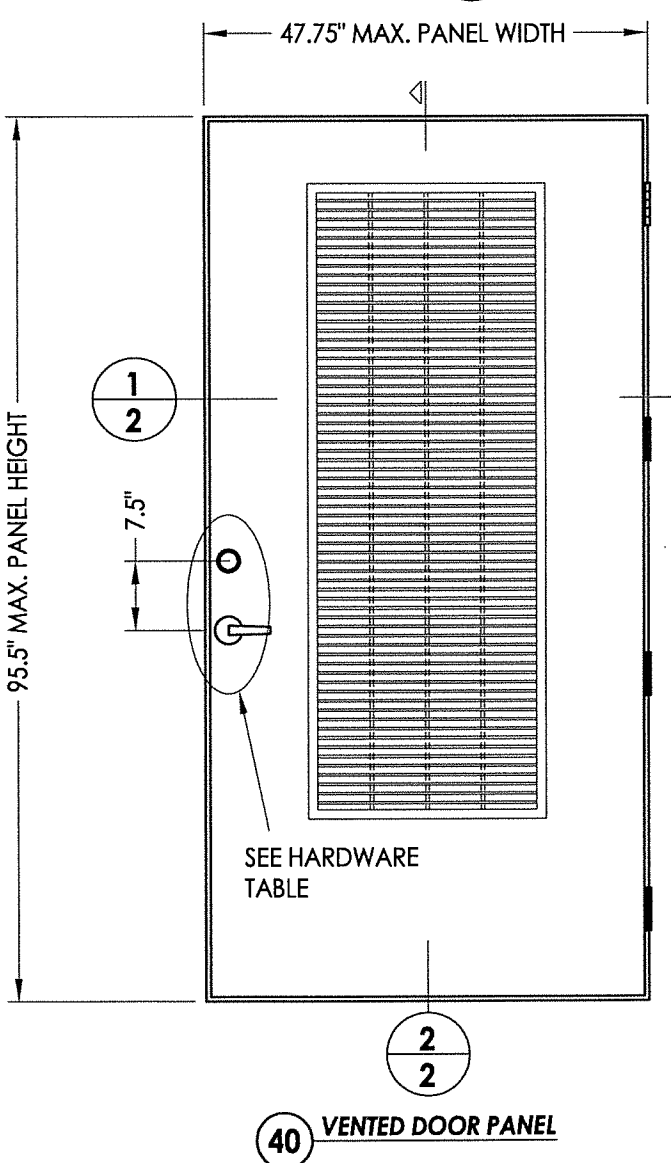
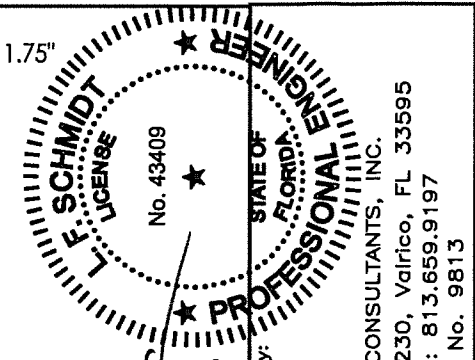
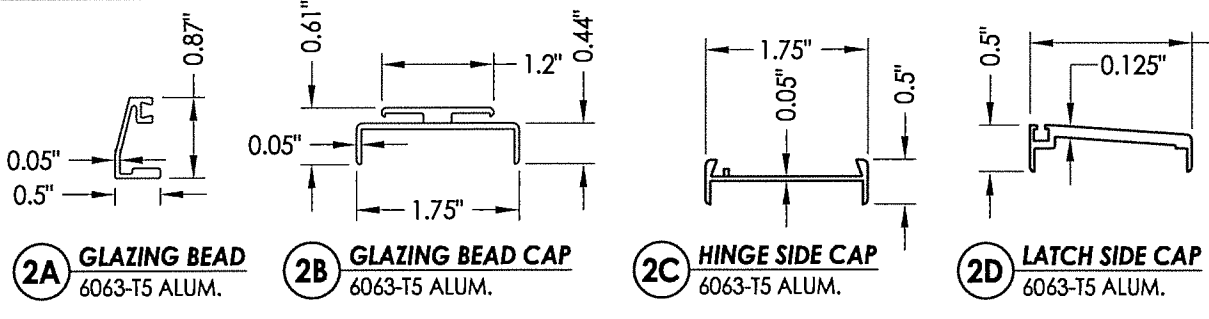
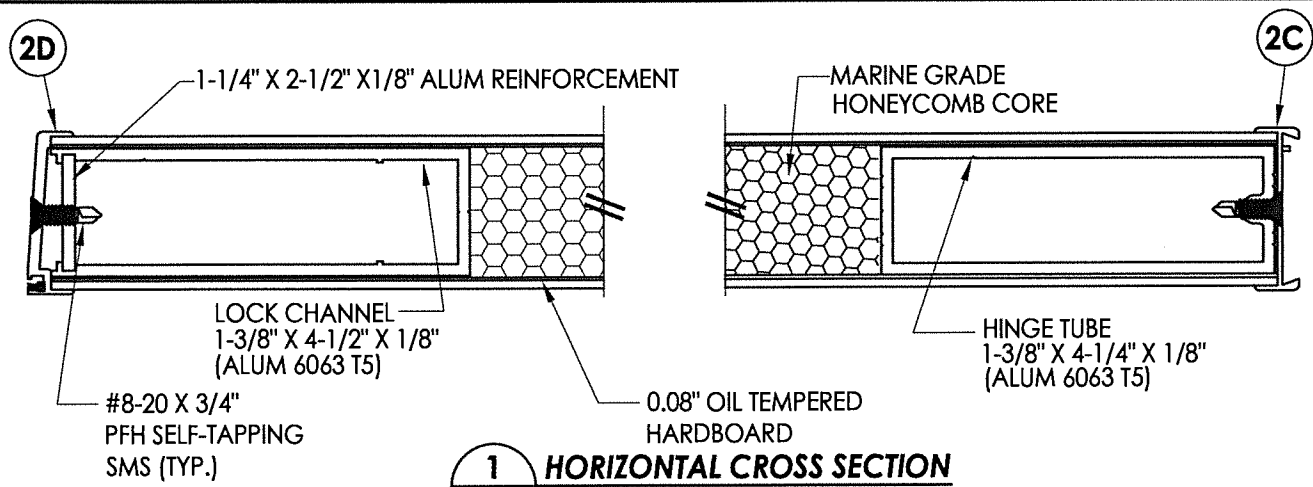
Documents Prepared By:
 Lyndon F. Schmidt
 P.E. No. 43409
 9.26.17
 R.W. BUILDING CONSULTANTS, INC.
 P.O. Box 230, Valrico, FL 33595
 Phone No.: 813.659.9197
 FBPE C.A. No. 9813

PRODUCT: CLINE DOORS
 PART OR ASSEMBLY: TYPICAL ELEVATION, DESIGN PRESSURES & GENERAL NOTES

NO.	DATE	BY	REVISIONS

DATE: 09/23/17
 SCALE: N.T.S.
 DWG. BY: JK
 CHK. BY: LFS
 DRAWING NO.: FL-6336.10
 SHEET 1 OF 7

R:\Clients\Cline Aluminum Doors PERMANENT\A - Florida Product Approvals\FL-6336\C - Drawings\FL-6336 (2017) R6\FL-6336.9-10.dwg, 2.4



HARDWARE TABLE		
MANUFACTURER	MODEL	
CORBIN RUSSWIN	LEVER:	SERIES CL3500
	DEADBOLT:	SERIES DL3000

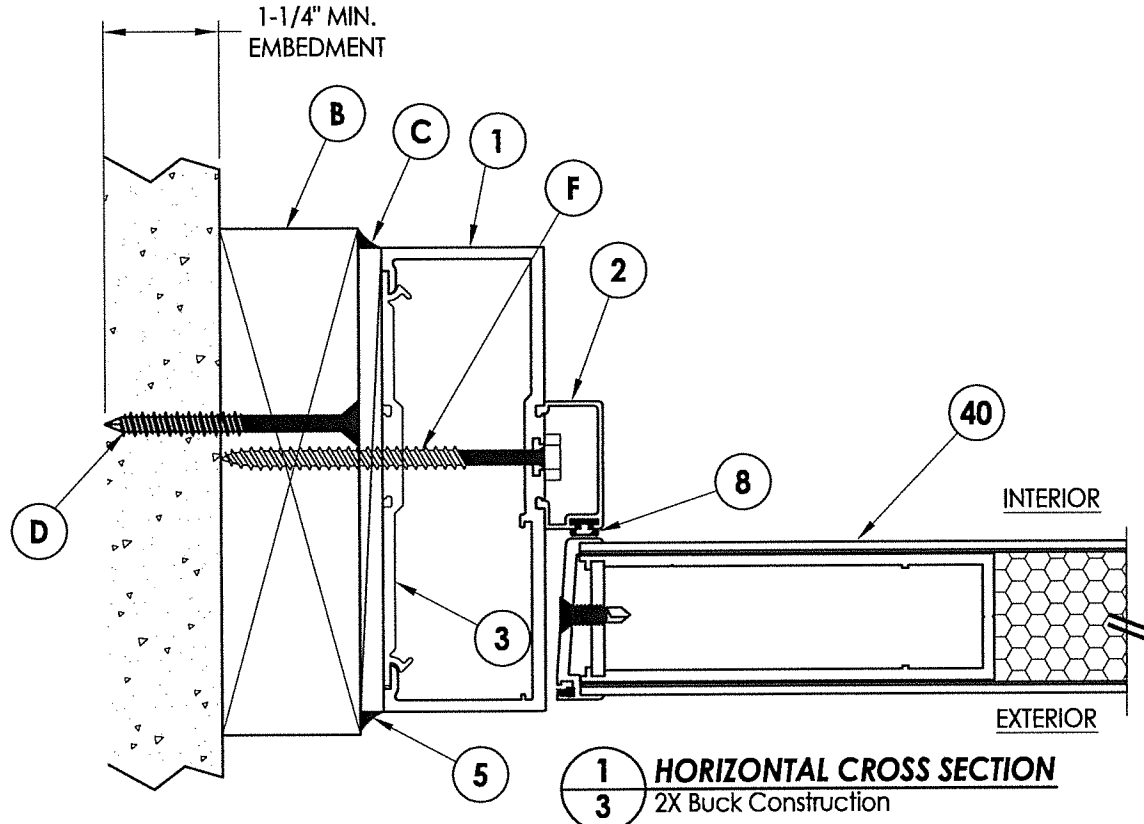
Documents Prepared By:
Lyndon F. Schmidt
P.E. No. 43409

R.W.
BUILDING CONSULTANTS, INC.
P.O. Box 230, Valrico, FL 33595
Phone No.: 813.659.9197
FBPE C.A. No. 9813

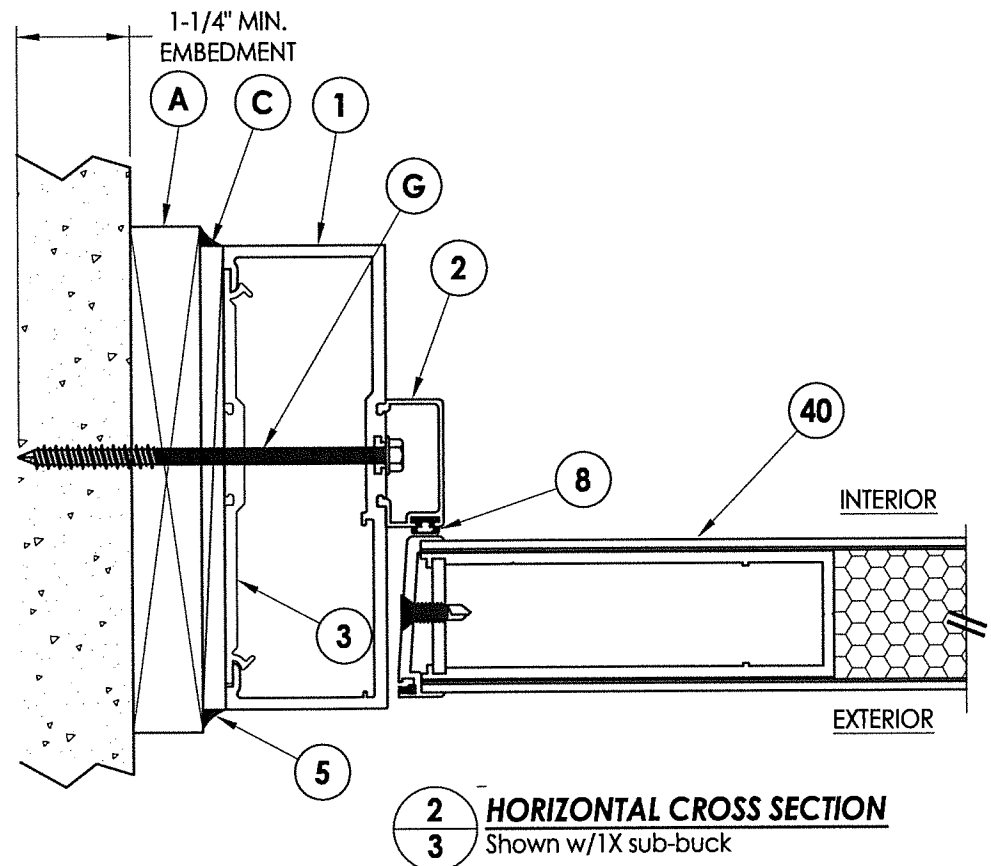
PRODUCT: CLINE DOORS
PART OR ASSEMBLY: DOOR PANEL DETAILS AND GLAZING DETAIL

NO.	DATE	BY	REVISIONS

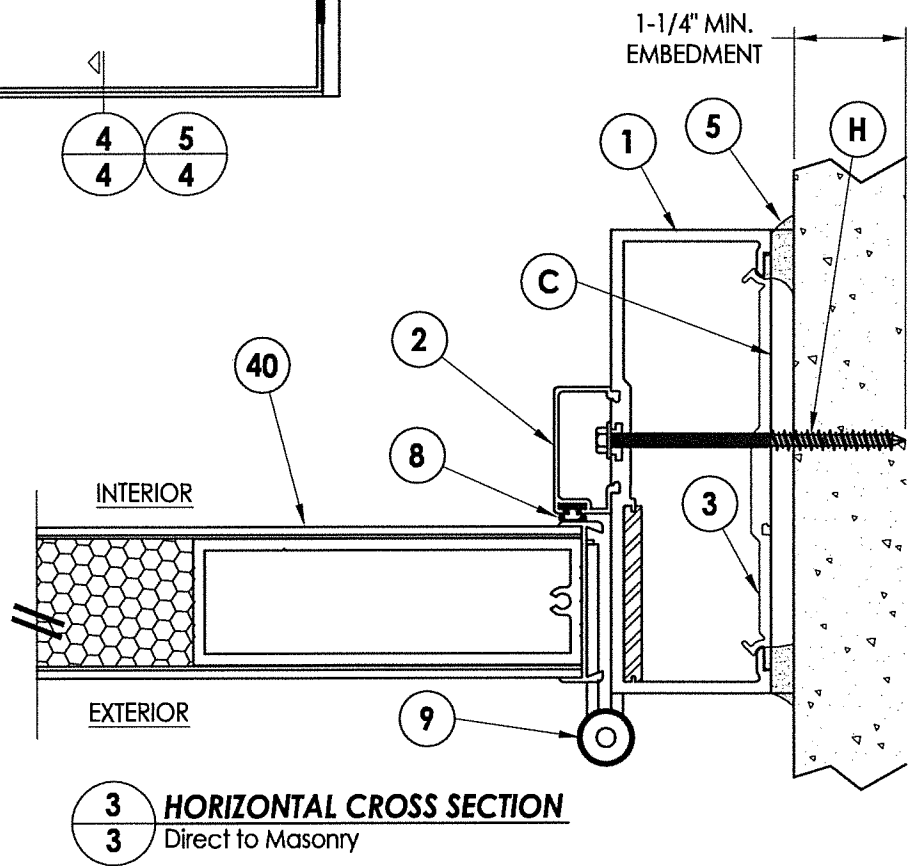
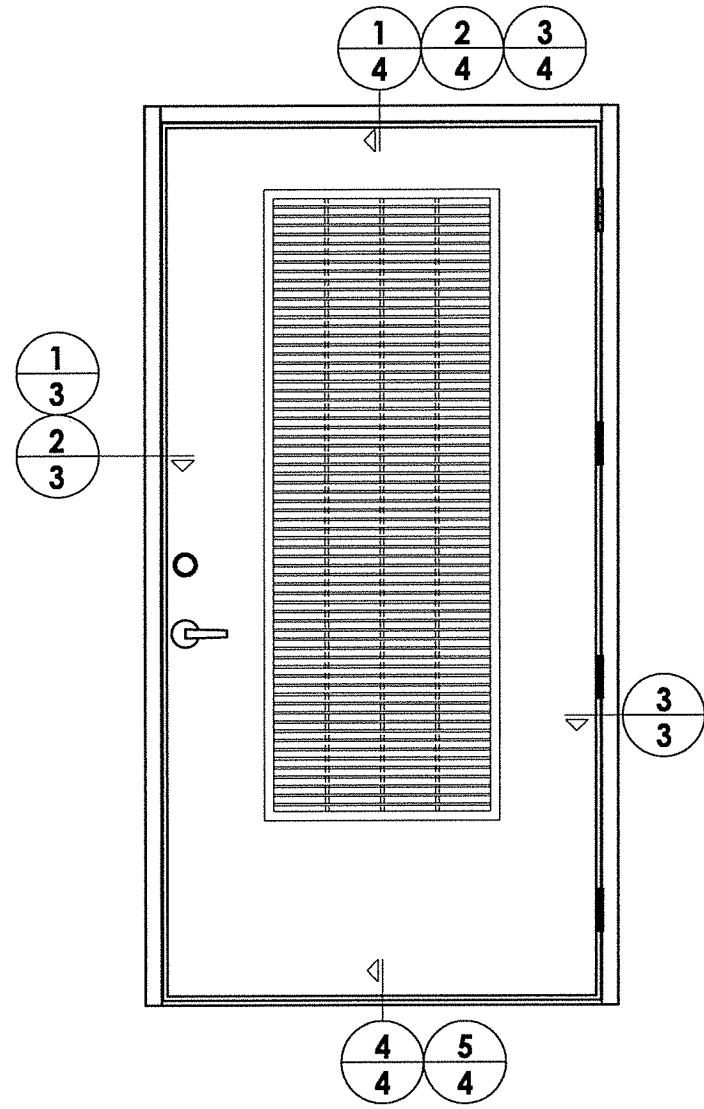
DATE: 09/23/17
SCALE: N.T.S.
DWG. BY: JK
CHK. BY: LFS
DRAWING NO.: FL-6336.10
SHEET 2 OF 7



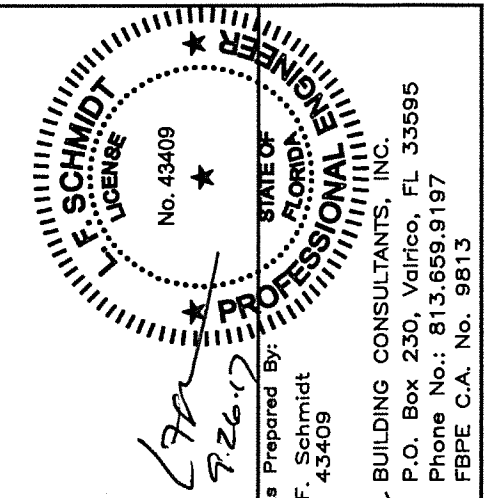
1
3 HORIZONTAL CROSS SECTION
2X Buck Construction



2
3 HORIZONTAL CROSS SECTION
Shown w/1X sub-buck



3
3 HORIZONTAL CROSS SECTION
Direct to Masonry

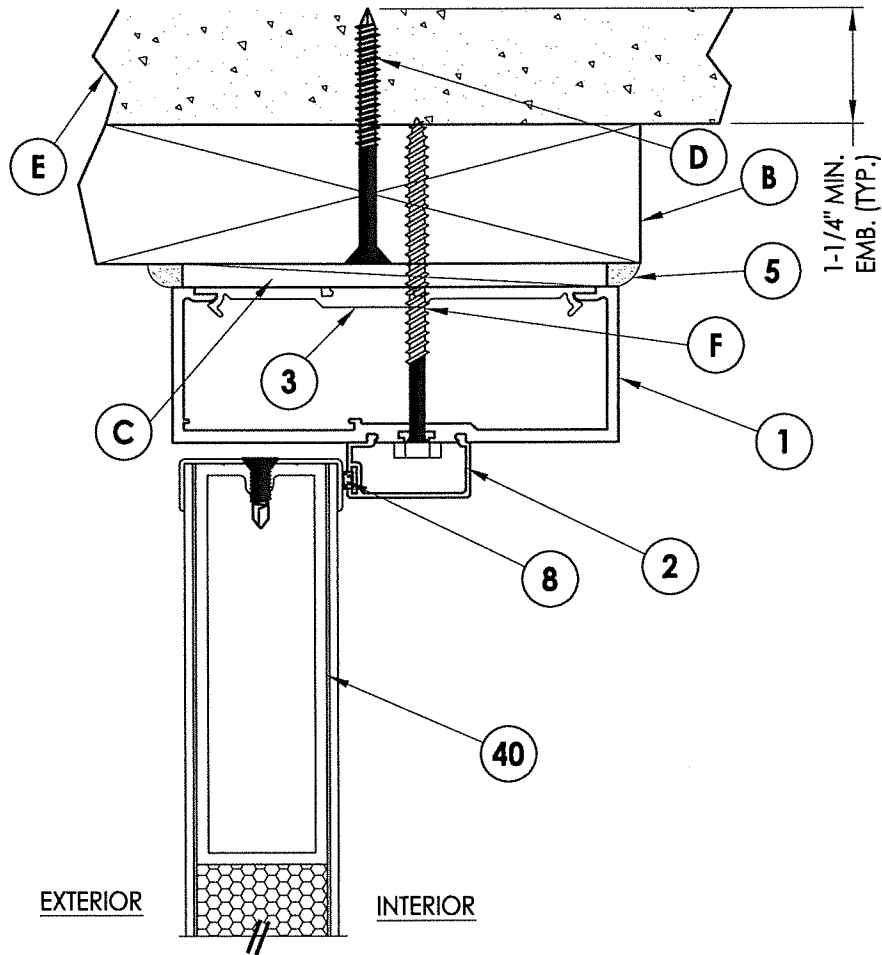


Documents Prepared By:
Lyndon F. Schmidt
P.E. No. 43409
R.W. BUILDING CONSULTANTS, INC.
P.O. Box 230, Vairico, FL 33595
Phone No.: 813.659.9197
FBPE C.A. No. 9813

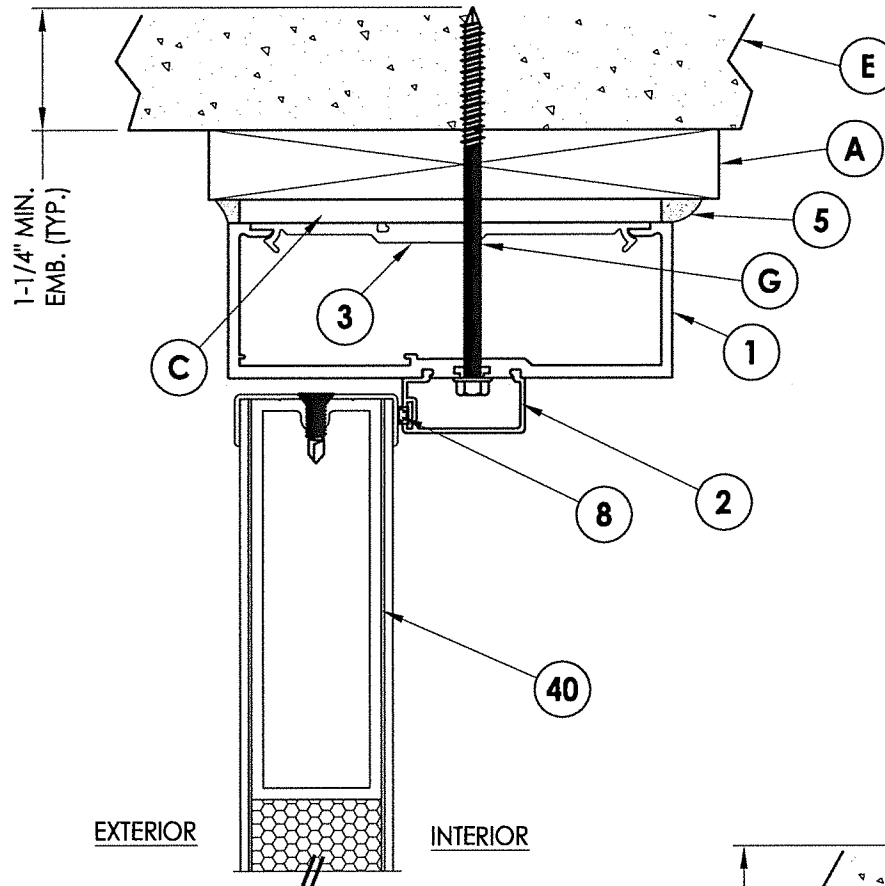
PRODUCT: CLINE DOORS
PART OR ASSEMBLY: HORIZONTAL CROSS SECTIONS

NO.	DATE	BY

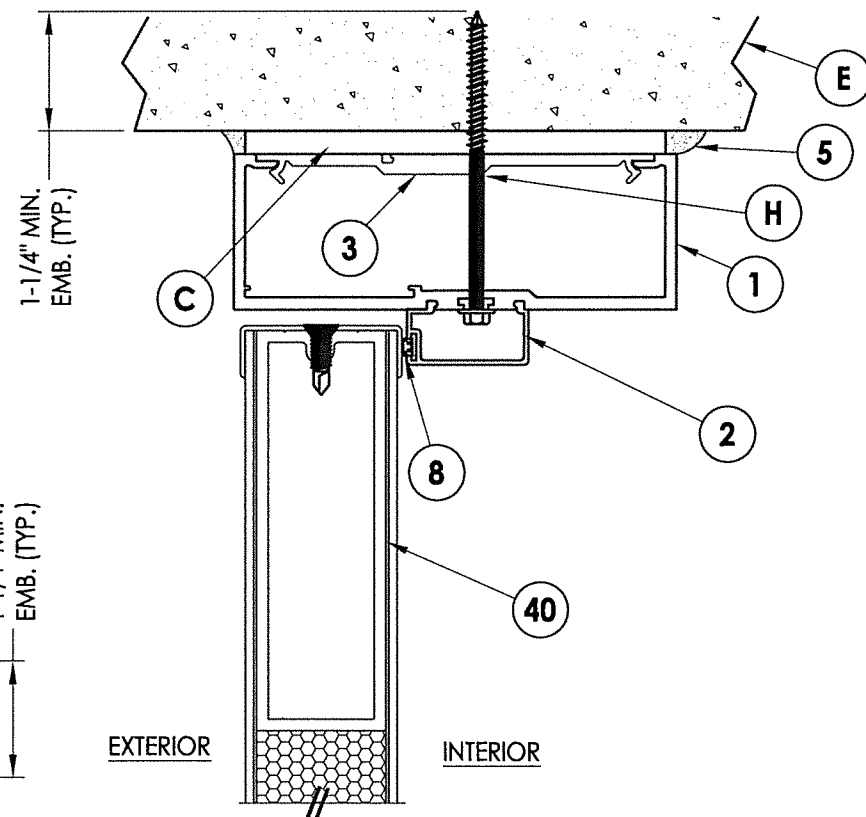
DATE: 09/23/17
SCALE: N.T.S.
DWG. BY: JK
CHK. BY: LFS
DRAWING NO.: FL-6336.10
SHEET 3 OF 7



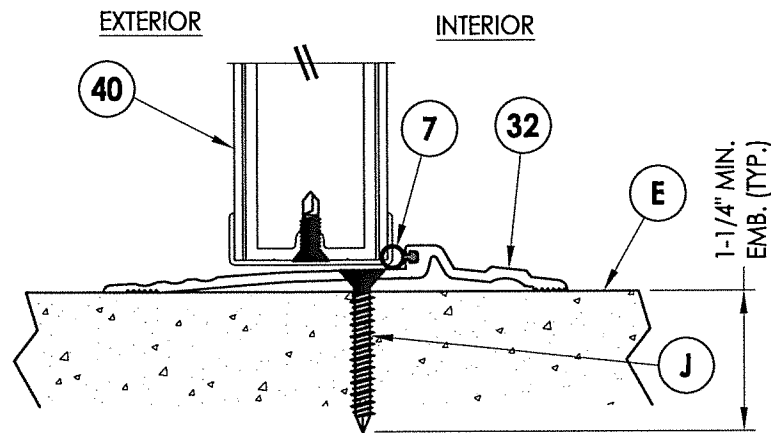
1 VERTICAL CROSS SECTION
4 2X Buck Construction



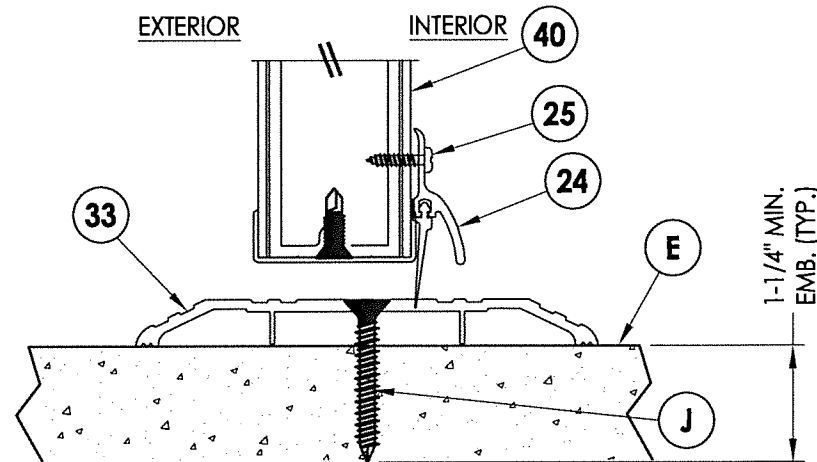
2 VERTICAL CROSS SECTION
4 Shown w/1X sub-buck



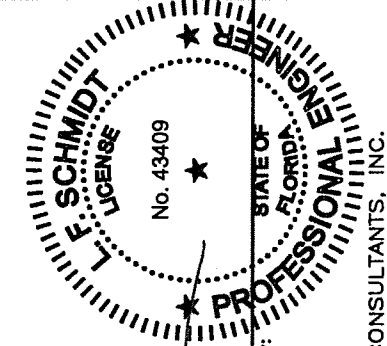
3 VERTICAL CROSS SECTION
4 Direct to Masonry



4 VERTICAL CROSS SECTION
4



5 VERTICAL CROSS SECTION
4



LFS
9.26.17

Documents Prepared By:
Lyndon F. Schmidt
P.E. No. 43409

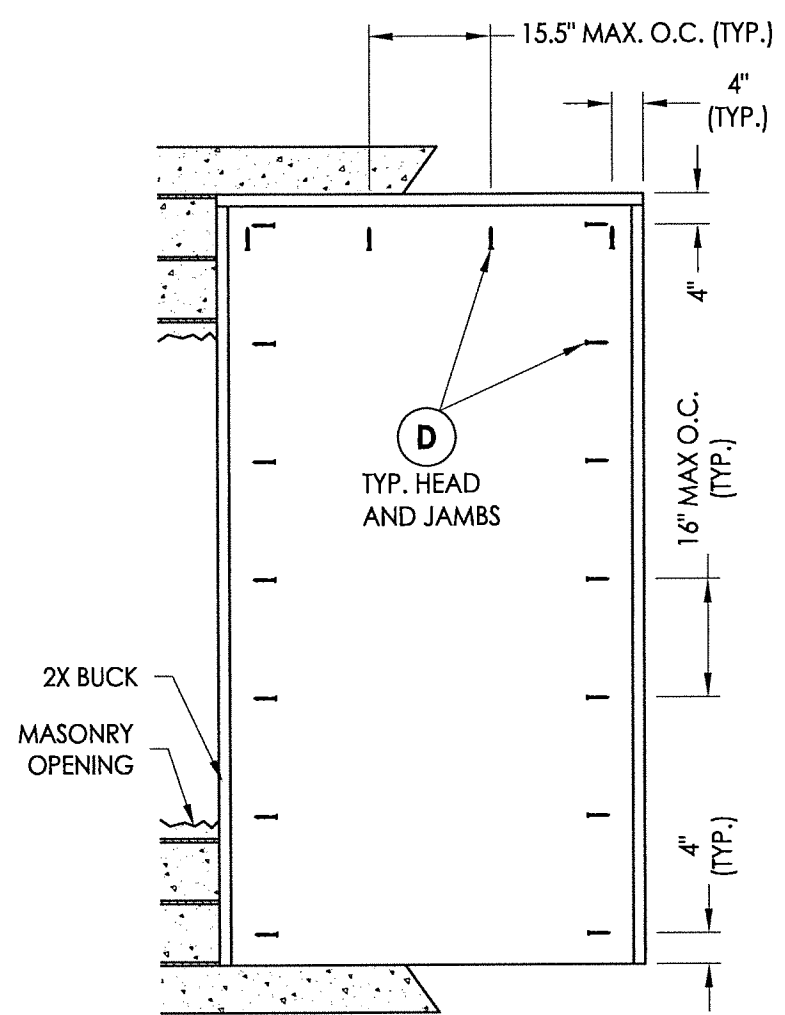
RW
BUILDING CONSULTANTS, INC.
P.O. Box 230, Valrico, FL 33595
Phone No.: 813.659.9197
FBPE C.A. No. 9813

PRODUCT:	CLINE DOORS
PART OR ASSEMBLY:	VERTICAL CROSS SECTIONS

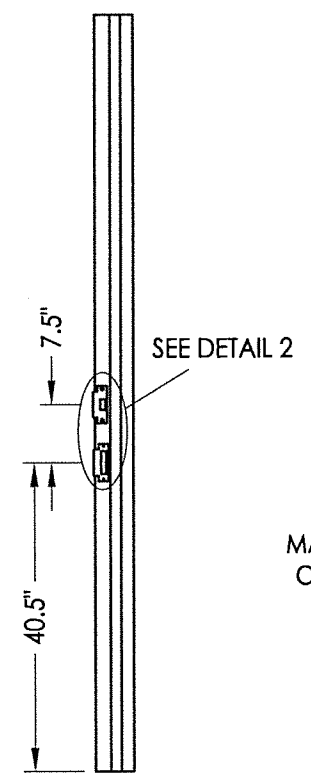
NO.	DATE	BY	REVISIONS

DATE:	09/23/17
SCALE:	N.T.S.
DWG. BY:	JK
CHK. BY:	LFS
DRAWING NO.:	FL-6336.10
SHEET	4 OF 7

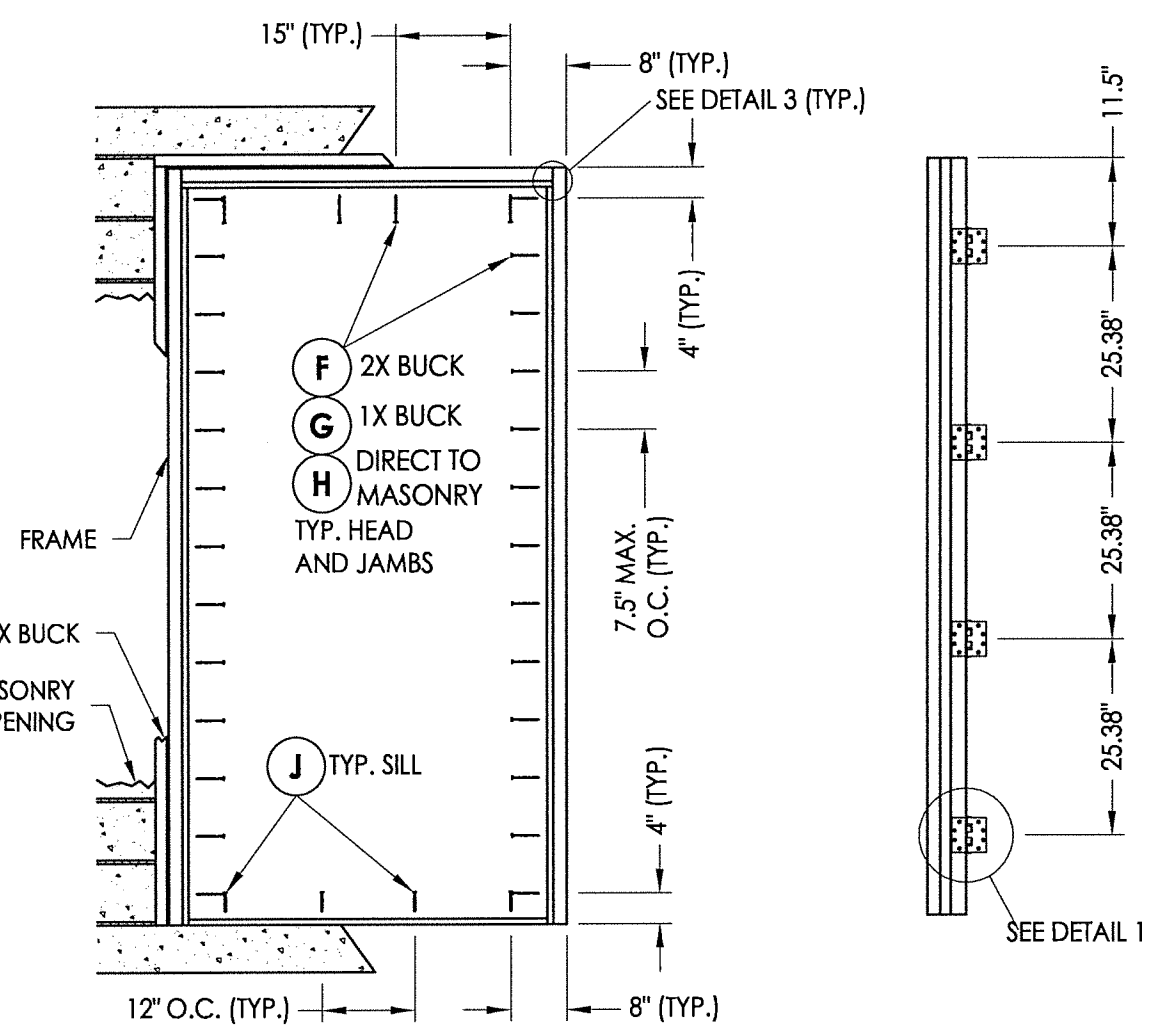
R:\Clients\Cline Aluminum Doors PERMANENT\A - Florida Product Approvals\FL-6336\C - Drawings\FL-6336-9-10.dwg, 5.4



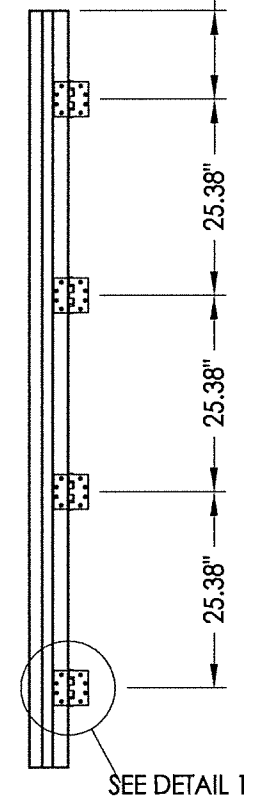
BUCK ANCHORING



STRIKE JAMB



FRAME ANCHORING



HINGE JAMB

MAX. FRAME DIMENSION 51.5" X 97.5"

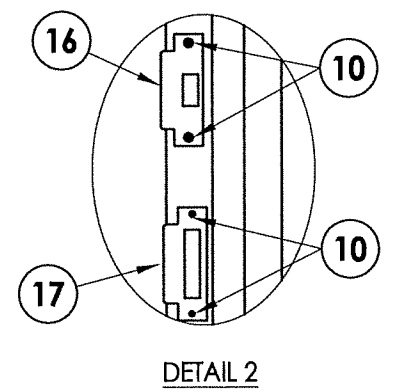
CONCRETE ANCHOR NOTES:

- Concrete anchor locations at the corners may be adjusted to maintain the min. edge distance to mortar joints.
- Concrete anchor locations noted as "MAX. ON CENTER" must be adjusted to maintain the min. edge distance to mortar joints, additional concrete anchors may be required to ensure the "MAX. ON CENTER" dimension are not exceeded.
- Concrete anchor table:

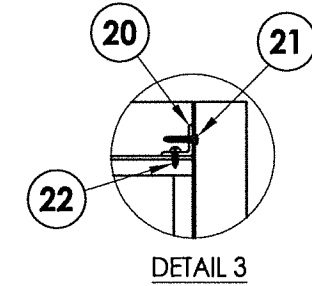
ANCHOR TYPE	ANCHOR SIZE	MIN. EMBEDMENT	MIN. CLEARANCE TO MASONRY EDGE	MIN. CLEARANCE TO ADJACENT ANCHOR
ITW BUILDEX TAPCON®	1/4"	1-1/4"	2"	4"
ELCO ULTRACON®	1/4"	1-1/4"	1"	4"

WOOD SCREW INSTALLATION NOTES:

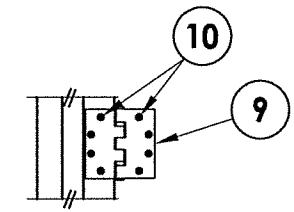
- Maintain a minimum 5/8" edge distance, 1" end distance, & 1" o.c. spacing of wood screws to prevent the splitting of wood.



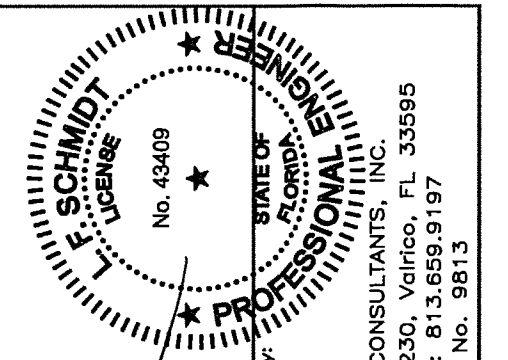
DETAIL 2



DETAIL 3



DETAIL 1



LFS
7.26.17

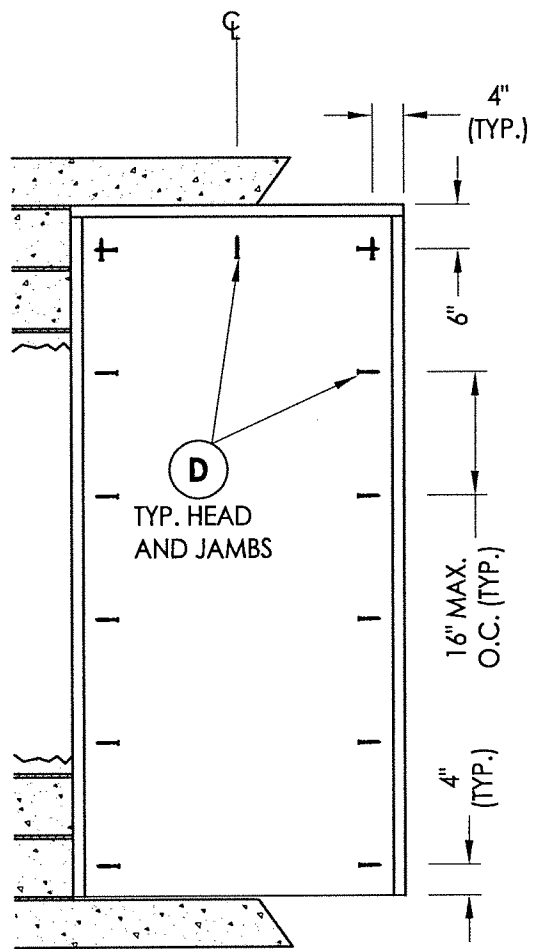
Documents Prepared By:
Lyndon F. Schmidt
P.E. No. 43409

R.W. BUILDING CONSULTANTS, INC.
P.O. Box 230, Valrico, FL 33595
Phone No.: 813.659.9197
FBPE C.A. No. 9813

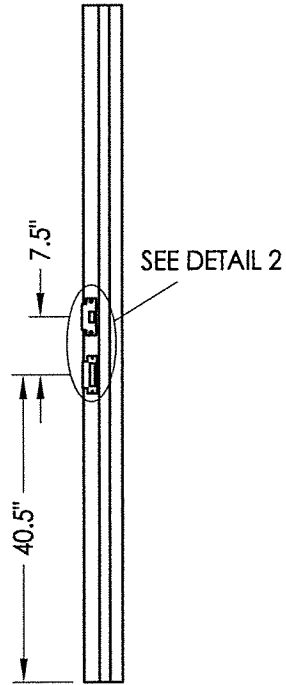
PRODUCT: CLINE DOORS
PART OR ASSEMBLY:
BUCK AND FRAME ANCHORING
(Nominal 4'0" X 8'0")

NO.	DATE	BY	REVISIONS

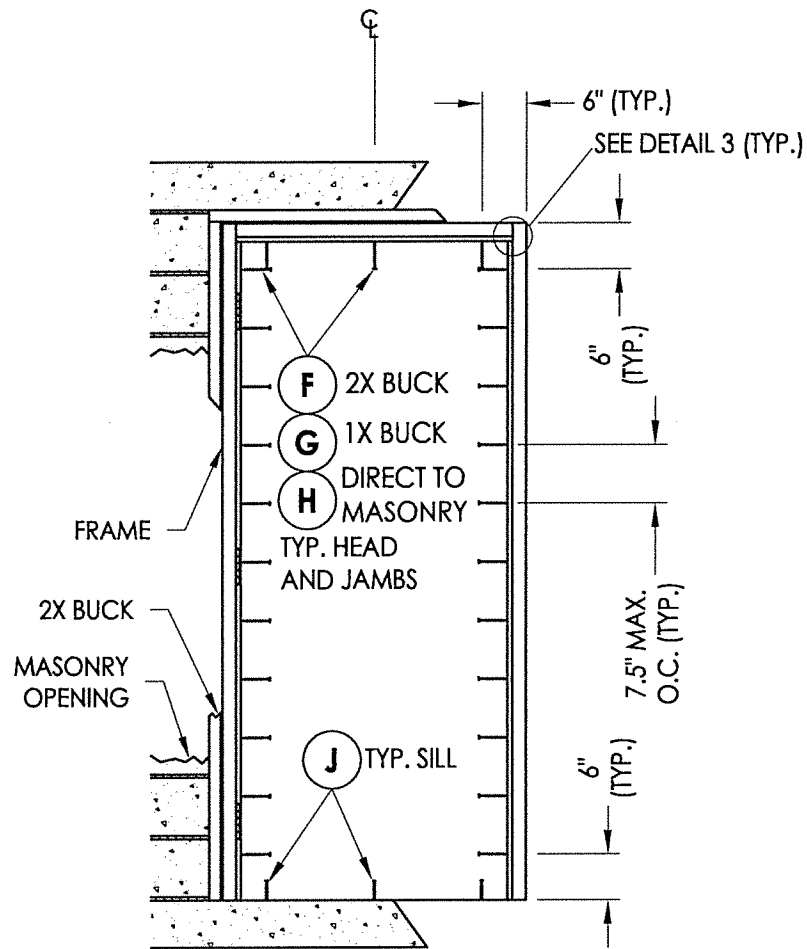
DATE: 09/23/17
SCALE: N.T.S.
DWG. BY: JK
CHK. BY: LFS
DRAWING NO.: FL-6336.10
SHEET 5 OF 7



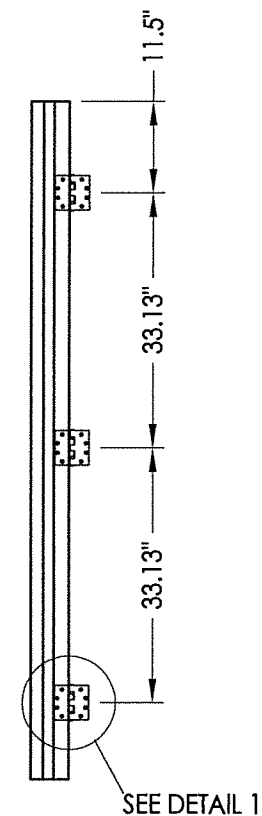
BUCK ANCHORING



STRIKE JAMB

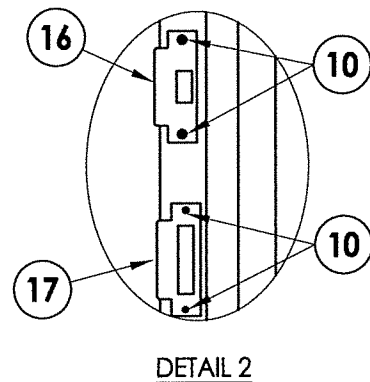


FRAME ANCHORING

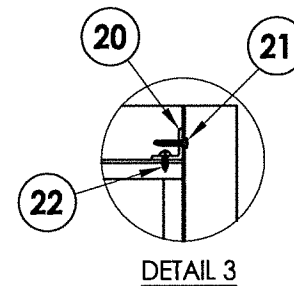


HINGE JAMB

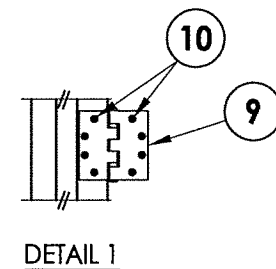
MAX. FRAME DIMENSION 39.5" X 87.75"



DETAIL 2



DETAIL 3



DETAIL 1

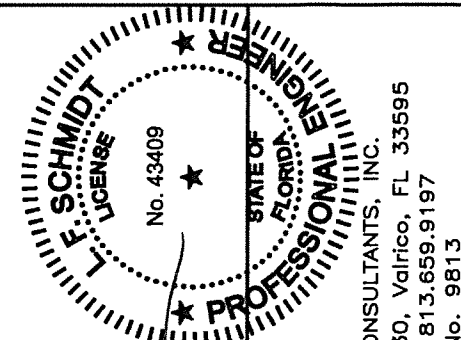
CONCRETE ANCHOR NOTES:

- Concrete anchor locations at the corners may be adjusted to maintain the min. edge distance to mortar joints.
- Concrete anchor locations noted as "MAX. ON CENTER" must be adjusted to maintain the min. edge distance to mortar joints, additional concrete anchors may be required to ensure the "MAX. ON CENTER" dimension are not exceeded.
- Concrete anchor table:

ANCHOR TYPE	ANCHOR SIZE	MIN. EMBEDMENT	MIN. CLEARANCE TO MASONRY EDGE	MIN. CLEARANCE TO ADJACENT ANCHOR
ITW BUILDEX TAPCON®	1/4"	1-1/4"	2"	4"
ELCO ULTRACON®	1/4"	1-1/4"	1"	4"

WOOD SCREW INSTALLATION NOTES:

- Maintain a minimum 5/8" edge distance, 1" end distance, & 1" o.c. spacing of wood screws to prevent the splitting of wood.



LFS
9.26.17

Documents Prepared By:
Lyndon F. Schmidt
P.E. No. 43409

RW BUILDING CONSULTANTS, INC.
P.O. Box 230, Valrico, FL 33595
Phone No.: 813.659.9197
FBPE C.A. No. 9813

PRODUCT: CLINE DOORS
PART OR ASSEMBLY: BUCK AND FRAME ANCHORING (Nominal 3'0" X 7'0")

NO.	DATE	BY	REVISIONS

DATE: 09/23/17
SCALE: N.T.S.
DWG. BY: JK
CHK. BY: LFS
DRAWING NO.: FL-6336.10
SHEET 6 OF 7

