



SERIES 200BE
FRP FLUSH DOOR
Fiber Reinforced Polyester

PRODUCT DATA CATALOG

CONTENTS	PAGE
STANDARD ELEVATIONS	2
STANDARD ELEVATIONS	3
DOOR SPECIFICATIONS	4
LOUVER SPECIFICATIONS	5
GLAZING SPECIFICATIONS	5
DOOR HANDING CHART	6
CLINE STANDARD HARDWARE LOCATIONS	6
FRP SKIN COLORS AND TEXTURES	7
ANODIZE AND ORGANIC COATINGS	7
CLINE STANDARD HARDWARE PREPARATIONS	8
5 INCH AND 6 INCH FRAME SPECIFICATIONS	9
CAD DETAILS	10

Cline Aluminum Doors, Inc. reserves the right to alter dimensions or modify construction specifications to accommodate actual door sizes and/or product integrity.

Phone: (941) 746-4104 * (800) 648-6736 * FAX (941) 746-5153 * www.clinedoors.com * inquire@clinedoors.com * 112 32nd Avenue West - Bradenton, FL 34205



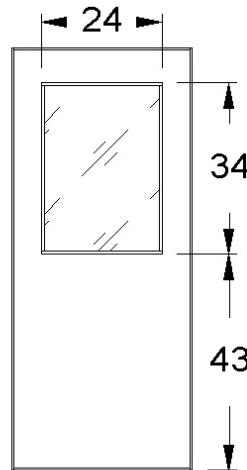
SERIES 200BE
FRP FLUSH DOOR
 Fiber Reinforced Polyester

ELEVATIONS

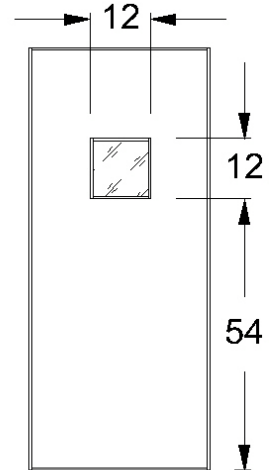
FULL FLUSH



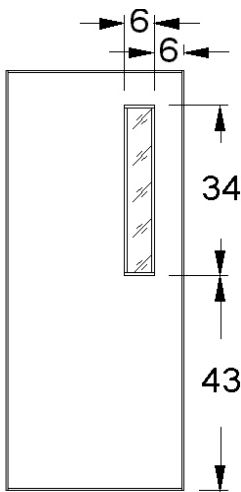
HALF GLASS



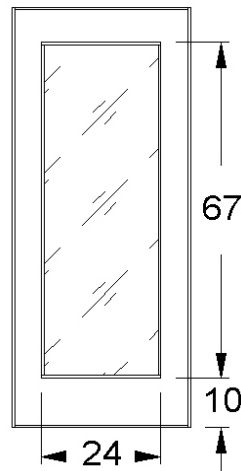
SMALL VISION LITE



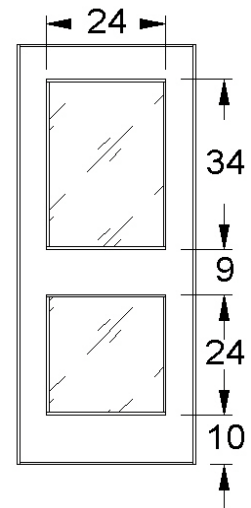
CLASSROOM VISION LITE



FULL GLASS



TOP & BOTTOM VISION LITE



LOUVER AND VISION LITE WIDTH WILL BE REDUCED TO 18 INCHES FOR DOORS LESS THAN 35 INCHES IN WIDTH

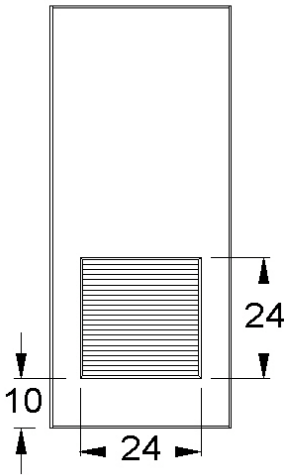
LOUVER AND VISION LITE HEIGHT WILL BE REDUCED TO 30 INCHES FOR DOORS LESS THAN 83 INCHES IN HEIGHT

Cline Aluminum Doors, Inc. reserves the right to alter dimensions or modify construction specifications to accommodate actual door sizes and/or product integrity.

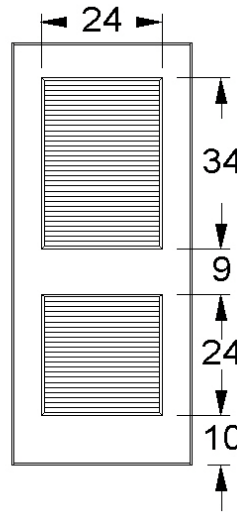
Phone: (941) 746-4104 * (800) 648-6736 * FAX (941) 746-5153 * www.clinedoors.com * inquire@clinedoors.com * 112 32nd Avenue West - Bradenton, FL 34205

ELEVATIONS

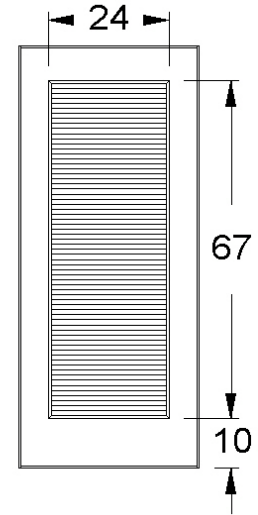
BOTTOM LOUVER



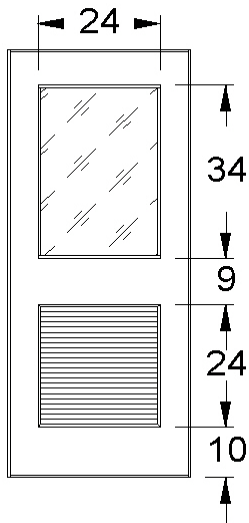
TOP AND BOTTOM LOUVER



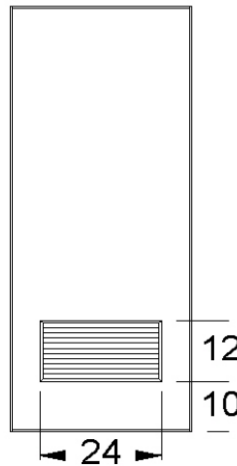
FULL LOUVER



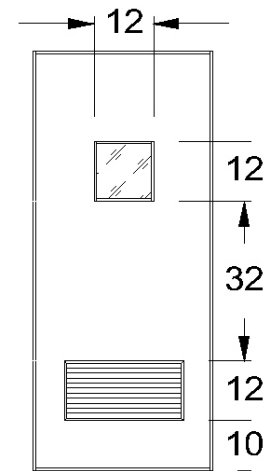
HALF GLASS BOTTOM LOUVER



SMALL BOTTOM LOUVER



SMALL VISION LITE SMALL LOUVER



LOUVER AND VISION LITE WIDTH WILL BE REDUCED TO 18 INCHES FOR DOORS LESS THAN 35 INCHES IN WIDTH

LOUVER AND VISION LITE HEIGHT WILL BE REDUCED TO 30 INCHES FOR DOORS LESS THAN 83 INCHES IN HEIGHT

Cline Aluminum Doors, Inc. reserves the right to alter dimensions or modify construction specifications to accommodate actual door sizes and/or product integrity.

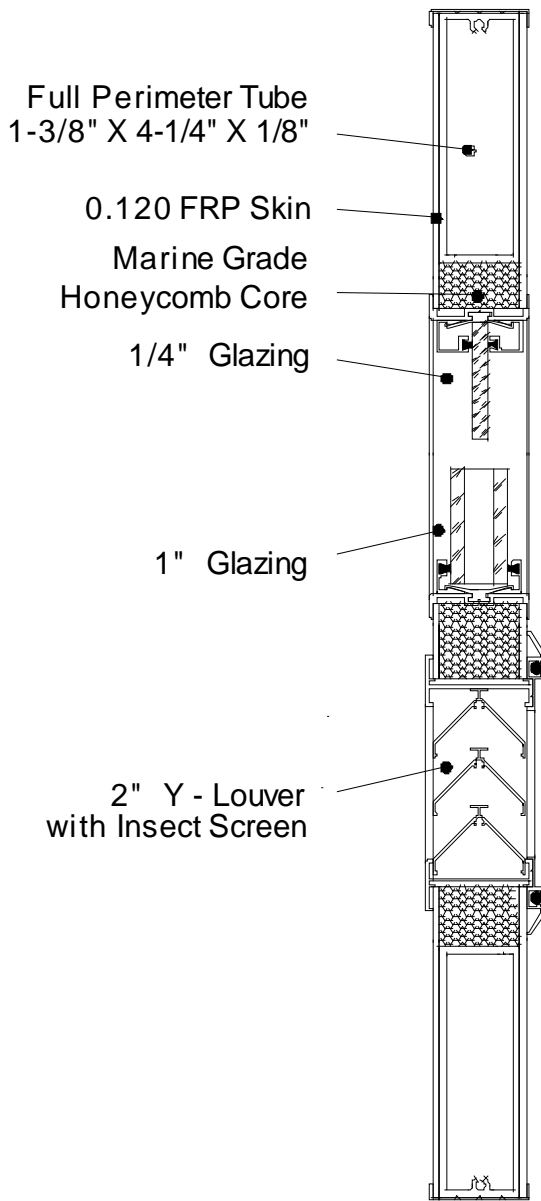
Phone: (941) 746-4104 * (800) 648-6736 * FAX (941) 746-5153 * www.clinedoors.com * inquire@clinedoors.com * 112 32nd Avenue West - Bradenton, FL 34205



SERIES 200BE FRP FLUSH DOOR

Fiber Reinforced Polyester

SPECIFICATIONS



Aluminum-member heavy-duty FRP doors shall be Cline Series 200BE FRP Doors shall be a minimum thickness of 1.75-inches (44.45mm) and a minimum 3-ply with a FRP composite skin thickness of 0.120-inch (3.05mm). Door facing shall be a composite, UV inhibited, glass fiber laminate (FRP) with a pebble-like embossed pattern. Reinforced polyester plastic panels shall be or exceed allowances per ASTM D3841. FRP face sheets shall be a Class C Flame Spread and Smoke Developed Rating (ASTM E 84), and have a flame spread of 120 and a smoke development of 290 for both interior and exterior faces of interior and exterior doors. Core shall be an organic based marine grade honeycomb core with high compression strength of 94.8 psi (ASTM C365), and internal aluminum hardware backup tube. The hardware backup tube shall be a minimum of 4.25-inches (107.95mm) in width, 1.375-inches (34.93mm) in depth with a wall thickness of 0.125-inches (3.18mm) Internal framing members shall be mechanically joined with stainless steel #10 threaded fasteners. **[Option: Internal framing members shall be mechanically joined top and bottom; 3/8-inch (9.53mm) plated steel tie rods secured with stainless steel nylock nuts.]** Door edges and face sheets shall be flush in appearance; face sheets shall be trimmed with replaceable aluminum reglets of 6063-T5 alloy on perimeter edges. Lock stiles shall have aluminum bevel-edge and wool-pile weather stripping. Hinge stile to be prepared for standard template 4.5-inch (38.10mm) x 4.5-inch (38.10mm) butt hinge. **[Option: Hinge stile to be smooth to accept standard geared hinges.]** Beads and trim wall thickness shall be minimum thickness of 0.050-inch (1.27mm). Nominal door sizes shall be provided.

Standard clearances shall be:

- Hinge and lock stiles, 0.125-inch (3.18mm)
- Between meeting stiles on pairs, 0.250-inch (6.35mm)
- At top rails, 0.125-inch (3.18mm)
- Between door bottom and threshold, 0.125-inch (3.18mm)
- Bonding agents shall meet EPA requirements.

Florida Building Code Compliant

Florida Building Code #FL6336

Website address: www.floridabuilding.org

Note: When used in wind-borne debris regions this product complies with section 1609.1.4 of the Florida Building Code as an impact resistant product and does not require the use of external impact resistant covering. This product meets the requirements for enhanced protection of essential facilities (missile level "E", wind zone 4) as defined in ASTM E1996.

Cline Aluminum Doors, Inc. reserves the right to alter dimensions or modify construction specifications to accommodate actual door sizes and/or product integrity.

Phone: (941) 746-4104 * (800) 648-6736 * FAX (941) 746-5153 * www.clinedoors.com * inquire@clinedoors.com * 112 32nd Avenue West - Bradenton, FL 34205



SERIES 200BE FRP FLUSH DOOR

Fiber Reinforced Polyester

GLAZING SPECIFICATIONS

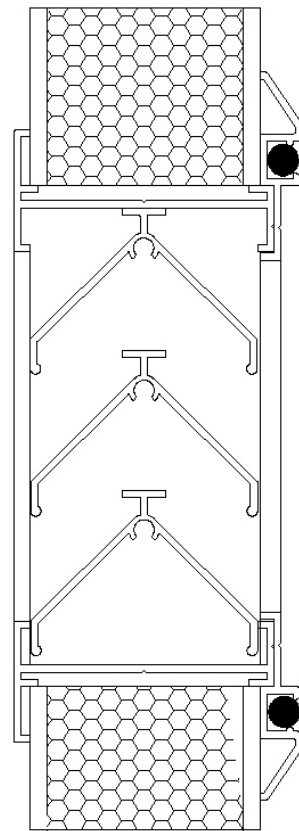
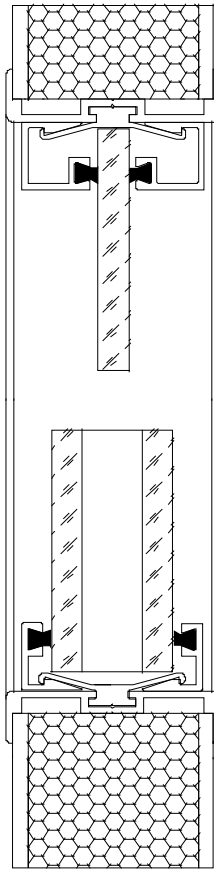
Glazing:

Vision lites shall be glazed with ¼-inch (6mm) tempered glass with snap-on non-removable stops of extruded aluminum 6063-T5, minimum thickness 0.050 inch (1.27mm). Vinyl inserts shall be used for sealing. No fasteners shall be exposed. 1-inch insulated and 9/16 inch impact laminate glass optional.

LOUVER SPECIFICATIONS

Louvers:

Frames and blades of louvers shall be 6063-T5 aluminum alloy with a minimum 0.062 inch (1.27mm) thickness. No exposed fasteners. Insect screen shall be 18-16 mesh, 0.011 inch (0.28mm) diameter aluminum set in a 0.050 inch (1.27mm) extruded frame.



Cline Aluminum Doors, Inc. reserves the right to alter dimensions or modify construction specifications to accommodate actual door sizes and/or product integrity.

Phone: (941) 746-4104 * (800) 648-6736 * FAX (941) 746-5153 * www.clinedoors.com * inquire@clinedoors.com * 112 32nd Avenue West - Bradenton, FL 34205



SERIES 200BE FRP FLUSH DOOR

Fiber Reinforced Polyester

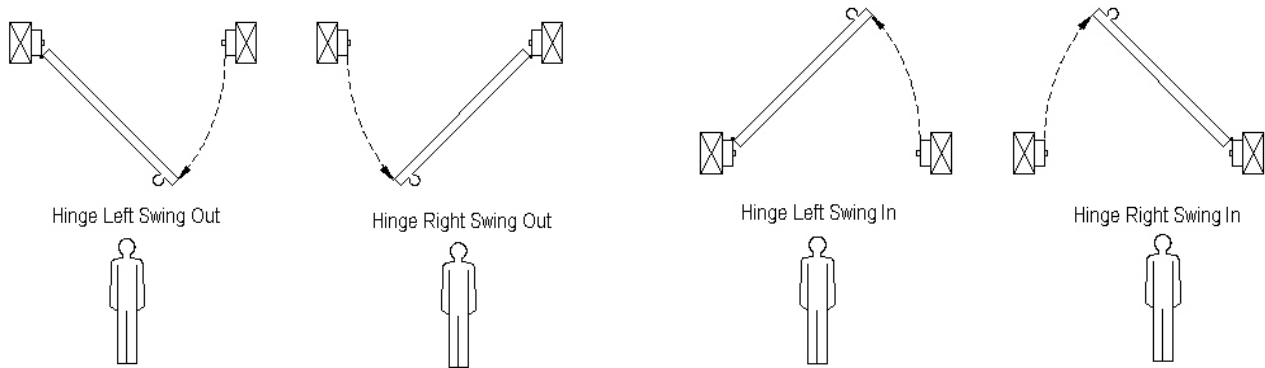
DOOR HANDING & HARDWARE LOCATIONS

Doors shall be prepped per manufacturer's approved shop drawings. Standard preparation shall include 4 ½ X 4 ½ template hinge prep, single spindle lock prep, mortise lock edge-only prep and flush bolt prep for pairs.

Surface applied hardware shall be drilled and tapped in field by installer.

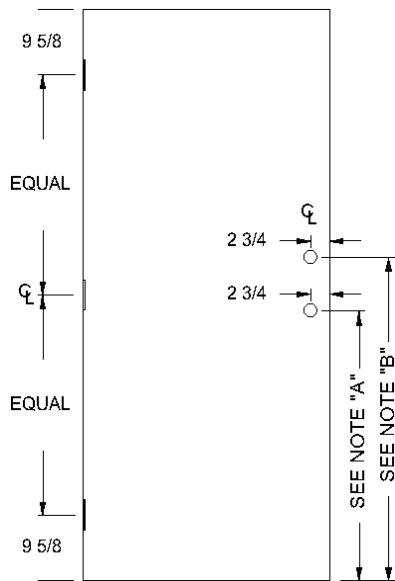
Additional hardware preparation to be specified; concealed hardware or pivots not recommended by manufacturer.

DOOR HANDING



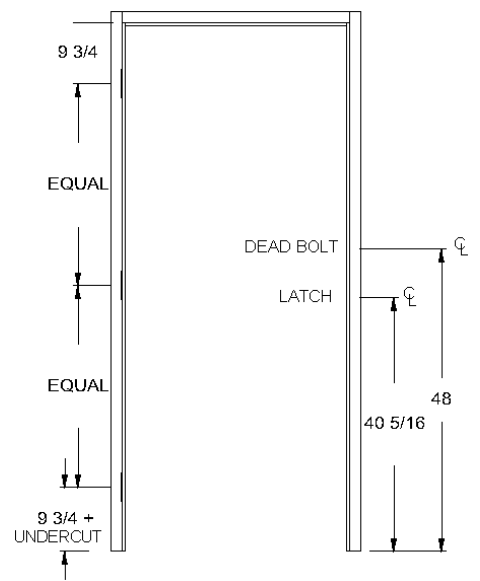
ON PAIRS OF DOORS DENOTE WHICH IS THE ACTIVE DOOR BY APPENDING THE LETTER A TO SWING

DOOR HARDWARE LOCATION



NOTE: A
THE CENTERLINE OF LOCK IN DOOR SHALL BE LOCATED IN REFERENCE TO THE CENTERLINE OF THE STRIKE (MORTISED LOCKS WILL BE APPROXIMATELY 3/8" (9.5 MM) BELOW CENTERLINE OF STRIKE) MINUS DOOR UNDERCUT

NOTE: B
THE CENTER LINE OF DEADLOCK IN DOOR SHALL BE LOCATED IN REFERENCE THE CENTERLINE OF THE FRAME STRIKE NORMALLY 48" MINUS DOOR UNDERCUT



Cline Aluminum Doors, Inc. reserves the right to alter dimensions or modify construction specifications to accommodate actual door sizes and/or product integrity.

Phone: (941) 746-4104 * (800) 648-6736 * FAX (941) 746-5153 * www.clinedoors.com * inquire@clinedoors.com * 112 32nd Avenue West - Bradenton, FL 34205



SERIES 200BE
FRP FLUSH DOOR
Fiber Reinforced Polyester

FINISHES

FRP FACE PANEL COLORS

WHITE
BEIGE
DARK BRONZE
GRAY
CUSTOM COLORS AVAILABLE

FRP FACE PANEL TEXTURES

PEBBLE EMBOSSED
NON STANDARD SMOOTH AVAILABLE

ALUMINUM ANODIZED FINISHES

STOCK FINISHES

CLEAR ANODIZE CLASS II AAMI2C22A31 204
DARK BRONZE CLASS I AAMI2C22A44 444

OPTIONAL FINISHES

CLEAR ANODIZE AAMI2C22A41 215
LIGHT BRONZE AAMI2C22A44 442
MEDIUM BRONZE AAMI2C22A44 443
BLACK AAMI2C22A44 446

CLASS I

ALUMINUM PAINTED FINISHES

Aluminum flush doors and aluminum door frames shall be finished with two-coat, shop applied, high performance, 70% Polyvinylidene Fluoride (PVDF) coating based on Kynar500 or Hylar 5000 resin, formulated by a licensed manufacturer and applied by manufacturer's approved applicator, to meet American Architectural Manufacturers Association performance standard 2605. Color variation shall be no more than 2E (CMC) when measured in accordance with MTCC 173-1989.

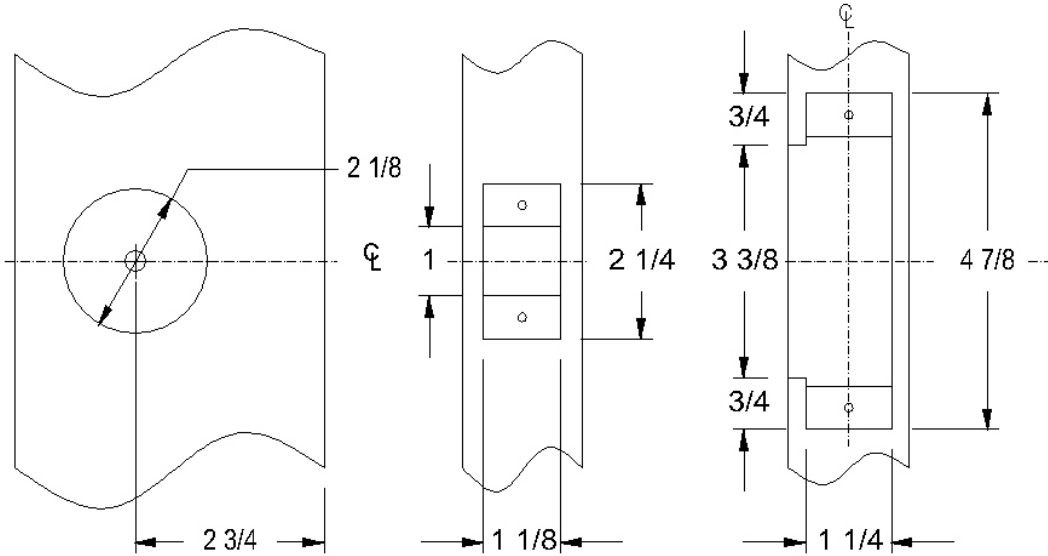
Cline Aluminum Doors, Inc. reserves the right to alter dimensions or modify construction specifications to accommodate actual door sizes and/or product integrity.

Phone: (941) 746-4104 * (800) 648-6736 * FAX (941) 746-5153 * www.clinedoors.com * inquire@clinedoors.com * 112 32nd Avenue West - Bradenton, FL 34205

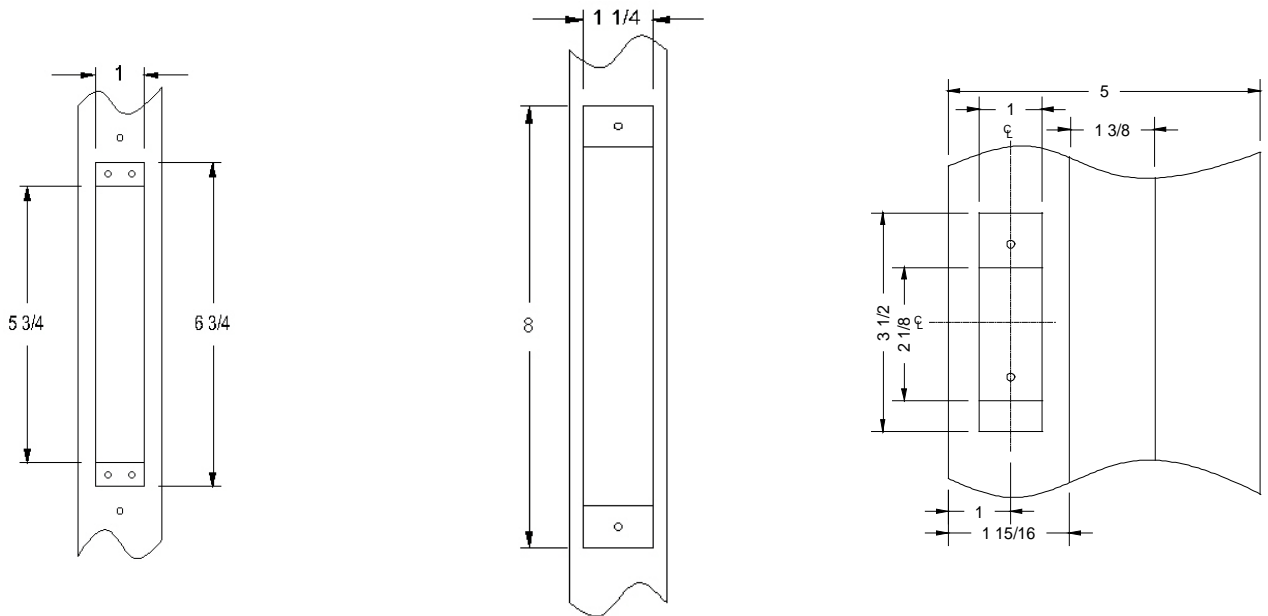


SERIES 200BE
FRP FLUSH DOOR
 Fiber Reinforced Polyester

STANDARD HARDWARE PREP



DOOR & FRAME PREPARATION FOR BORED OR CYLINDER LOCKS FOR 1-3/4" DOORS ANSI A115.2 - 1995



**DOOR EDGE FLUSH BOLT ANSI
 STANDARD
 A115.4 - 1994**

**DOOR EDGE MORTISE LOCK
 PREP ANSI STANDARD A115.1**

DEAD BOLT FRAME STRIKE

Cline Aluminum Doors, Inc. reserves the right to alter dimensions or modify construction specifications to accommodate actual door sizes and/or product integrity.

Phone: (941) 746-4104 * (800) 648-6736 * FAX (941) 746-5153 * www.clinedoors.com * inquire@clinedoors.com * 112 32nd Avenue West - Bradenton, FL 34205



SERIES 200BE FRP FLUSH DOOR

Fiber Reinforced Polyester

ALUMINUM FRAMES

SPECIFICATION FOR 5-INCH AND 6-INCH ALUMINUM FRAMES

Aluminum heavy-duty frames shall be Cline Open Back with Applied Stop (OBS). Frames shall be constructed from extruded aluminum 6063-T5 alloy with a minimum wall thickness of 0.125-inch (3.17mm), 1-3/4-inches (44.45mm) x 5-inches (127mm). Corners shall be cut square and fastened using concealed stainless steel screws. Snap-in door stop to receive replaceable wool pile weather-stripping. Hinge and strike mounting plates shall be of 0.1875-inch (4.76mm) extruded aluminum bar stock.

FRAME HARDWARE PREPARATION: Hinge and strike plates shall be fully mortised in frame. Hinges shall be prepared for standard weight 4-1/2-inch x 4-1/2-inch (114.3mm) template hinge. Lock strikes shall be 4 7/8 inches (123.84mm) in accordance with ANSI standards A115.1 or 115.2. All surface applied hardware shall be drilled and tapped in the field by installer.

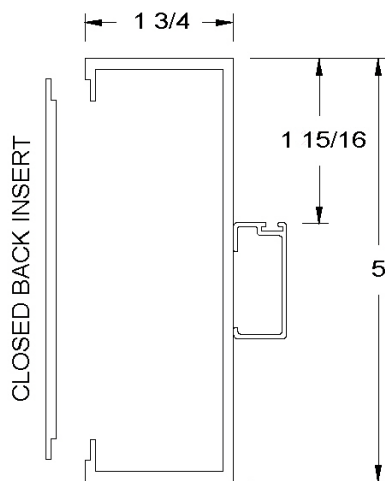
All frames shall be anodized in accordance with Aluminum Associations #AAM12C22A31, Class II, Clear 0.4 mil (0.01 mm) minimum thickness unless otherwise specified.

Special hardware preparation available upon request.

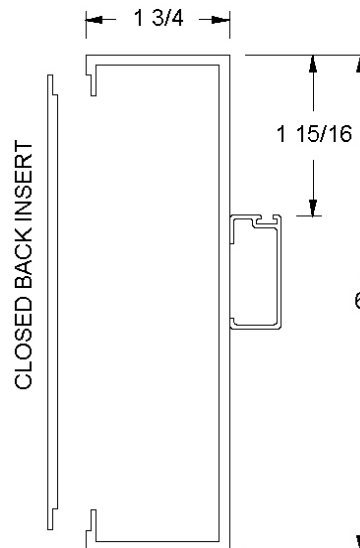
Frame option of Cline 6-inch (152.39 mm) OBS frame, 5-inch (127mm) TS, or 6-inch (152.39mm) TS to be specified.

ALUMINUM FRAME CROSS SECTION

5-INCH FRAME WITH OPTIONAL INSERT



6-INCH FRAME WITH OPTIONAL INSERT



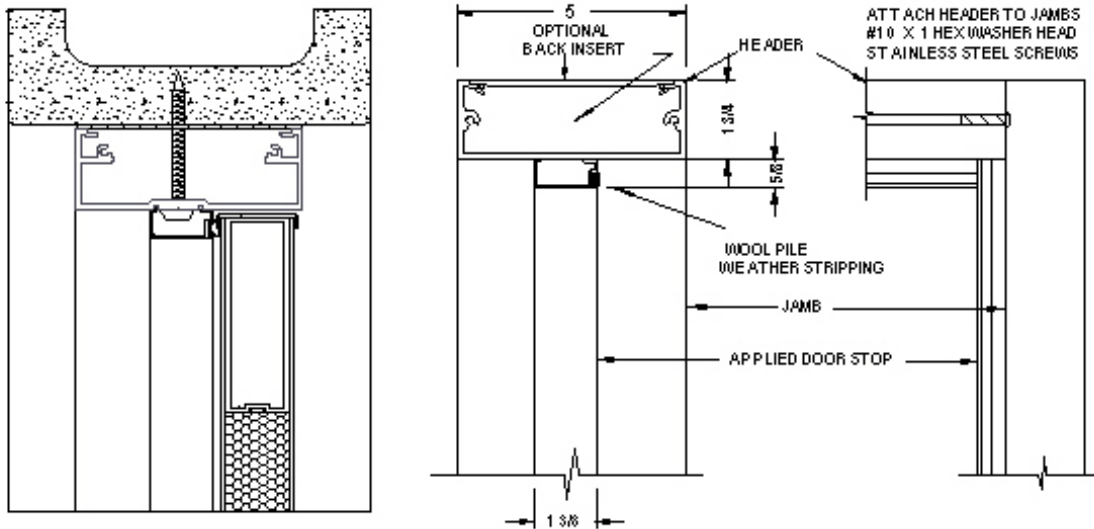
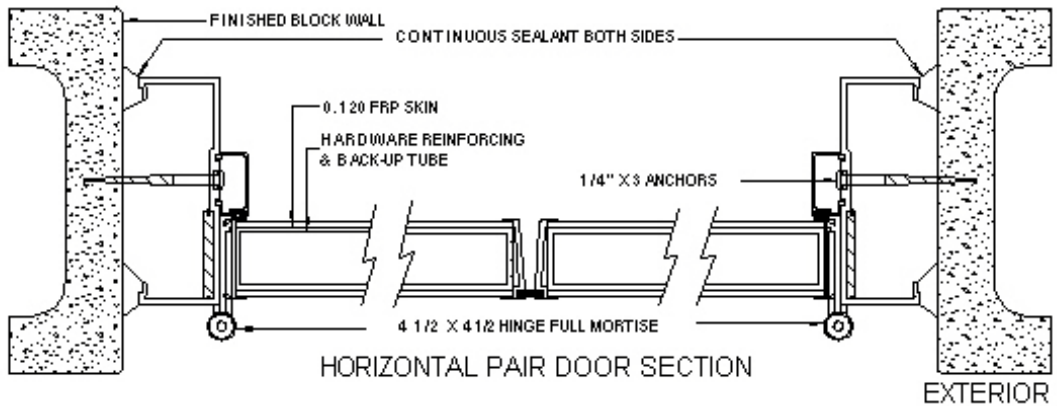
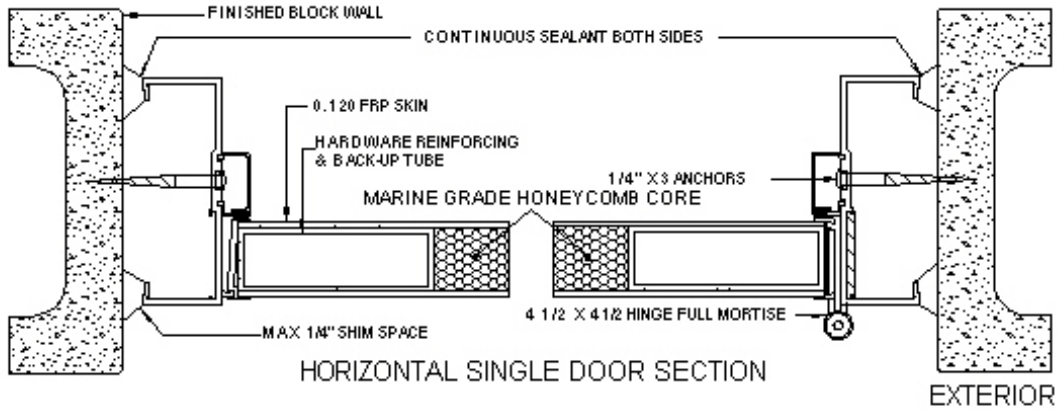
Cline Aluminum Doors, Inc. reserves the right to alter dimensions or modify construction specifications to accommodate actual door sizes and/or product integrity.

Phone: (941) 746-4104 * (800) 648-6736 * FAX (941) 746-5153 * www.clinedoors.com * inquire@clinedoors.com * 112 32nd Avenue West - Bradenton, FL 34205



SERIES 200BE FRP FLUSH DOOR

Fiber Reinforced Polyester



Cline Aluminum Doors, Inc. reserves the right to alter dimensions or modify construction specifications to accommodate actual door sizes and/or product integrity.

Phone: (941) 746-4104 * (800) 648-6736 * FAX (941) 746-5153 * www.clinedoors.com * inquire@clinedoors.com * 112 32nd Avenue West - Bradenton, FL 34205